

JESSICA KRALISH

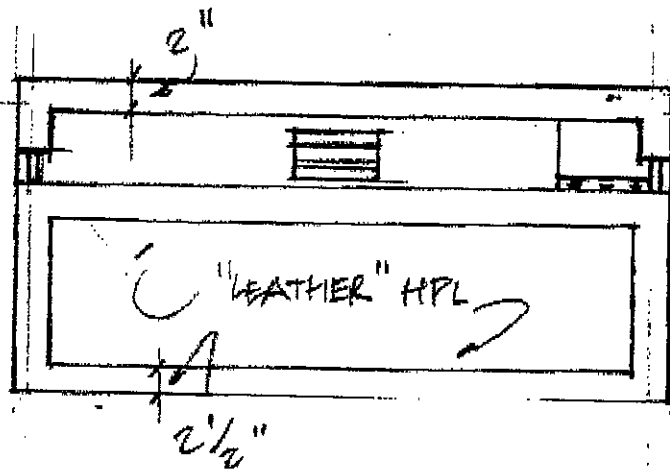
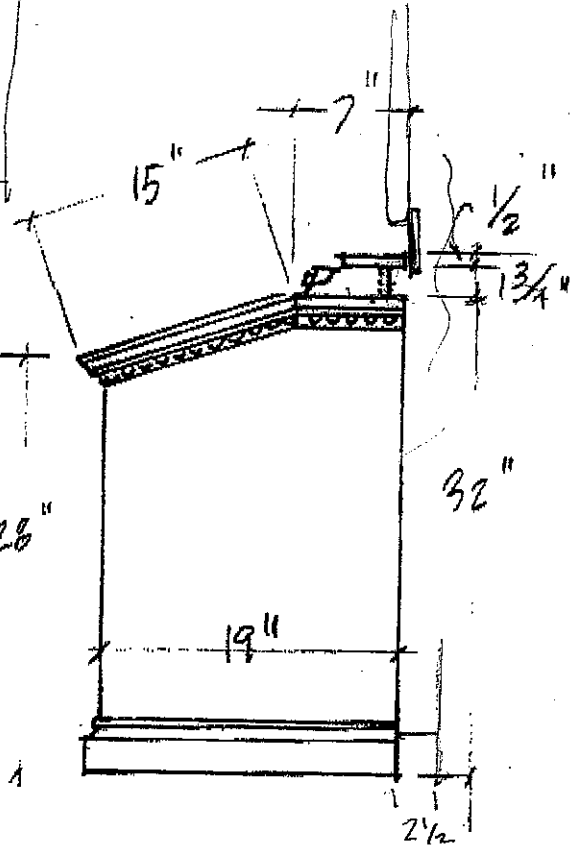
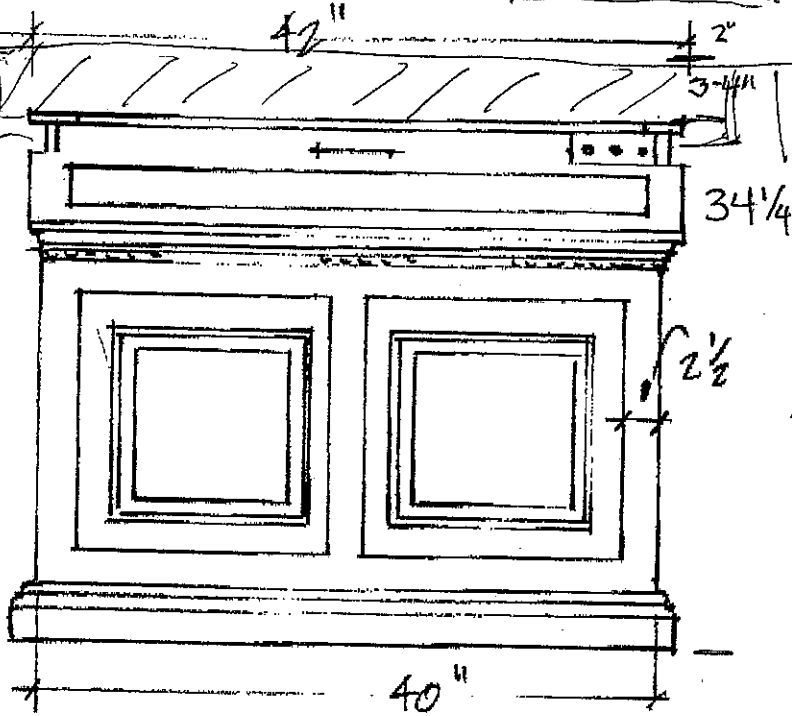
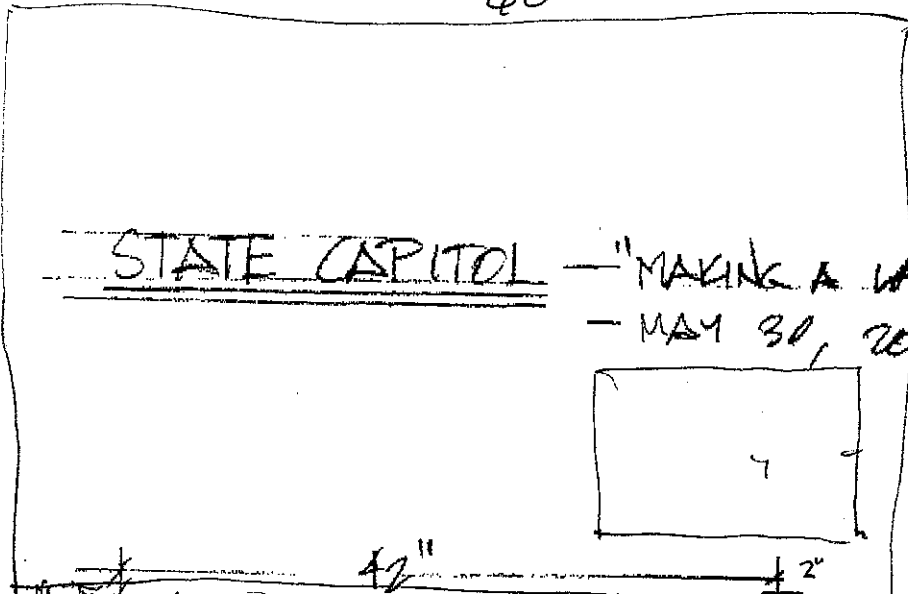
#246

3.866.2348

60

42"

STATE CAPITOL — "MAKING A LAW" KIOSK
— MAY 31, 2008



4 1/2"
COMPUTER
+ MONITOR

CONDUIT
FROM CEILING
& JUNCTION
BOX.

15A MAX.

ADA
42" corridor
60"